



**S.U.N. Engineering, Inc.**

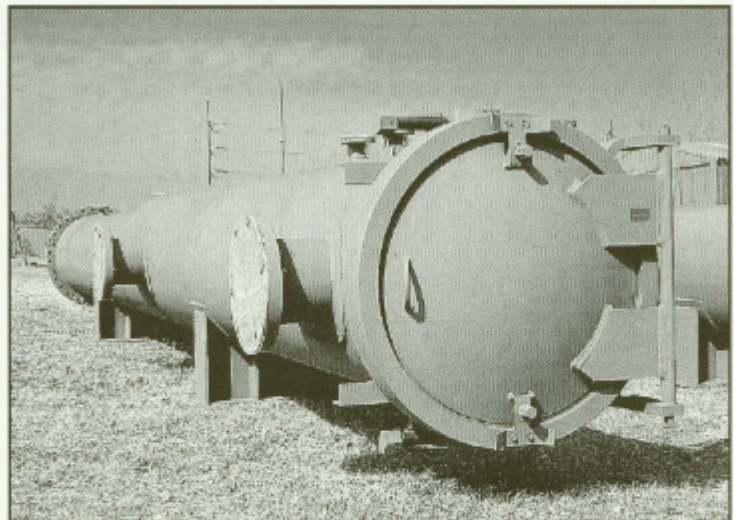
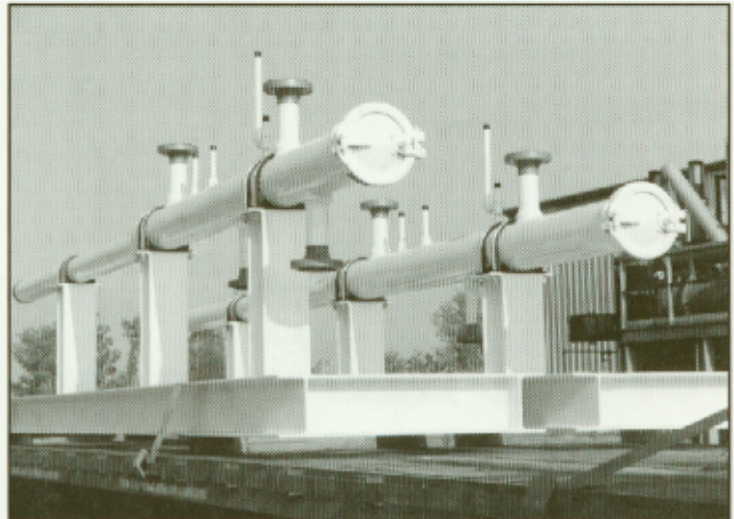
# FABRICATED PRODUCTS

## Launchers and Receivers

From pipeline pigging components to fully valved and accessorized launching/receiving systems, S.U.N. Engineering, Inc. specializes in the type of fabricated equipment that flow-conscious pipeliners demand. S.U.N.'s tradition of applying personal attention to each and every customer concern is exhibited throughout the engineering, manufacturing, and testing phases of all fabricated equipment.

Launchers and receivers are pressure vessels used to introduce and remove pigs, spheres and inspection tools from the pipeline. Safety and durability is assured because each S.U.N. vessel and fabricated component is designed, engineered, manufactured, tested and documented in complete accordance with the latest revisions of one of the following American Society of Mechanical Engineers (ASME) codes:

- Boiler and Pressure Vessel Code, Section VIII-Division 1
- B31.3, Chemical Plant and Petroleum Refinery Piping
- B31.4, Liquid Transportation Systems for Hydrocarbons, Liquid Petroleum Gas, Anhydrous Ammonia, and Alcohols
- B31.8, Gas Transmission and Distribution Piping Systems





## Launchers and Receivers

---

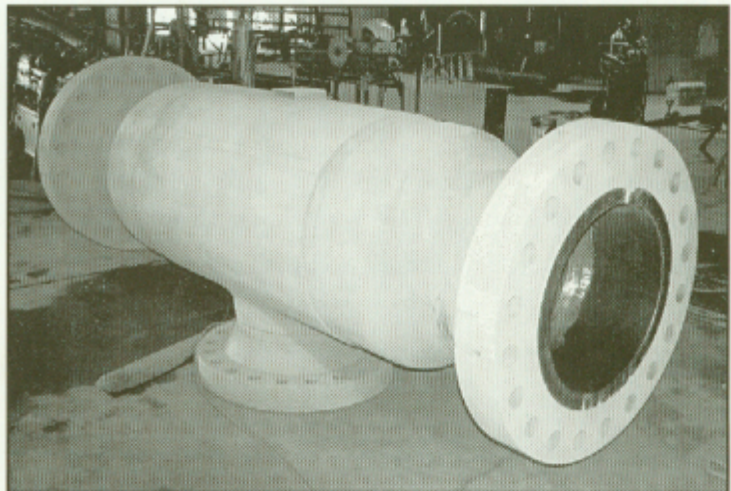
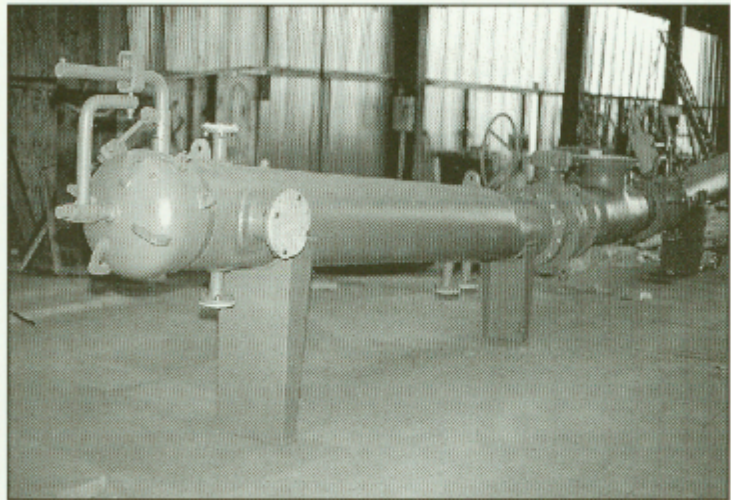
Launchers and receivers are offered with the following, or a combination of the following features:

- Uni- or Bidirectional Operation
- Horizontal, Vertical, or Angled Orientation
- Fixed or Sliding Leg Supports
- Skid-Mounted Packages
- Barrels Only
- Valved and Accessorized Systems
- Automated Systems
- NACE Compliant Materials

The following components and accessories can be supplied with our equipment or as after-market items:

- Barred Tees (Piggable)
- Flow Tees (Piggable and Sphereable)
- Pressure Gauges
- Pressure Relief Valves  
(Required on BPV Code Vessels)
- Pig Passage Indicators
- Scraper Switches
- Valve Actuators
- Drain Pans
- Lifting Davits and Hoists
- Pig/Sphere Lifting Devices
- Rail Mounted Trays
- Power Systems

For additional information about these or other services, please contact our sales office. Our staff will be eager to help!







# Complete Pig Systems

## Launching and Receiving



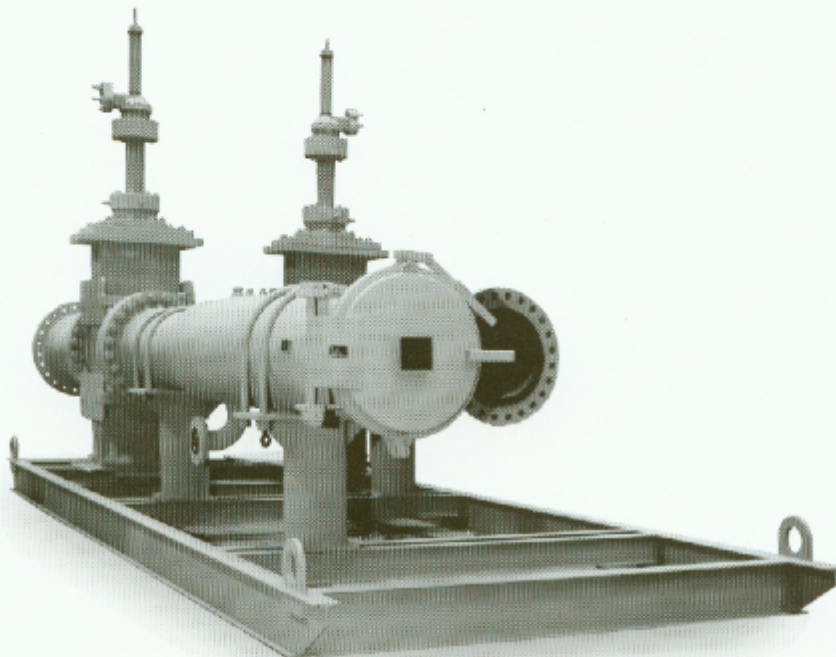
T. D. Williamson, Inc.

Bulletin No: 5000.002.00

Date: February 1999

Cross Indexing No: n/a

Supersedes: n/a



■ Complete Pig System

### Description

TDW offers complete Pig Launching and Receiving Systems to meet your total pigging needs. These system packages include the Launcher/Receiver, Closure, PIG-SIG® Indicators, Bypass Piping, Valves, Handling Equipment if required, and Skid Mounted to ease field installation. All system packages are designed to the pipeline codes you require.

### Features

Our standard Launching and Receiving Systems are complete packages. All components are assembled, tested, and ready for field installation.

- Units are furnished with TDW Closures.
- Units are furnished with the TDW PIG-SIG®, installed.
- All nozzles are properly sized and located.
- Bypass piping is fabricated and connected for sure fit-up.
- All units are sandblasted and prime coated.
- Handling equipment is offered for handling larger pigs.
- Units designed, tested, and inspected to meet your code requirements.
- 100% weld inspection.

### Options

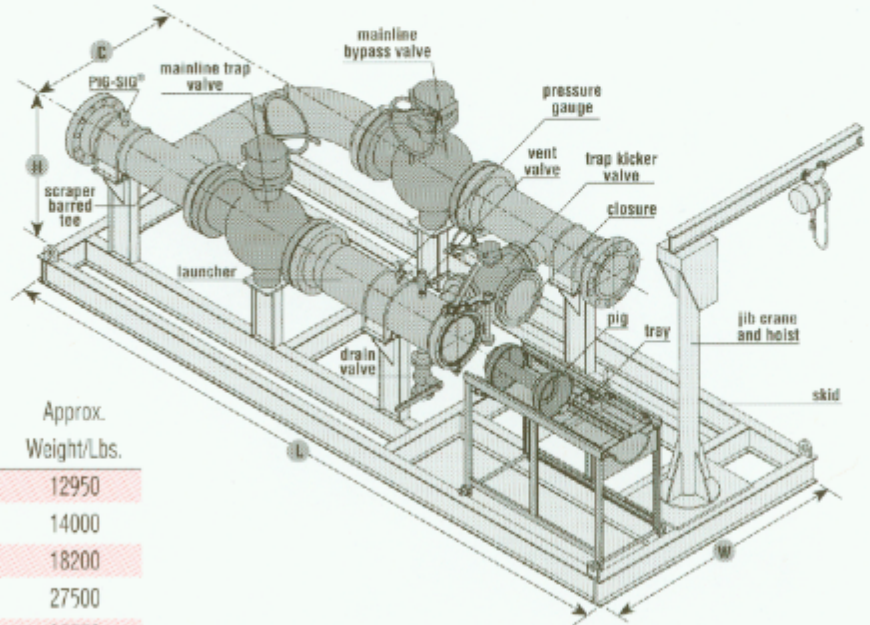
T.D. Williamson, Inc., is committed to providing you with the exact product to assist you in planning, budgeting, and meeting your individual application needs.

TDW can provide:

- Systems designed to handle corrosion inspection pigs.
- Automated packages to simplify operation.
- Special materials.
- ASME B31.4, B31.8, B31.3, ASME Section VIII Codes.
- Special surface preparation and finish.
- Horizontal, vertical, or sloped units.

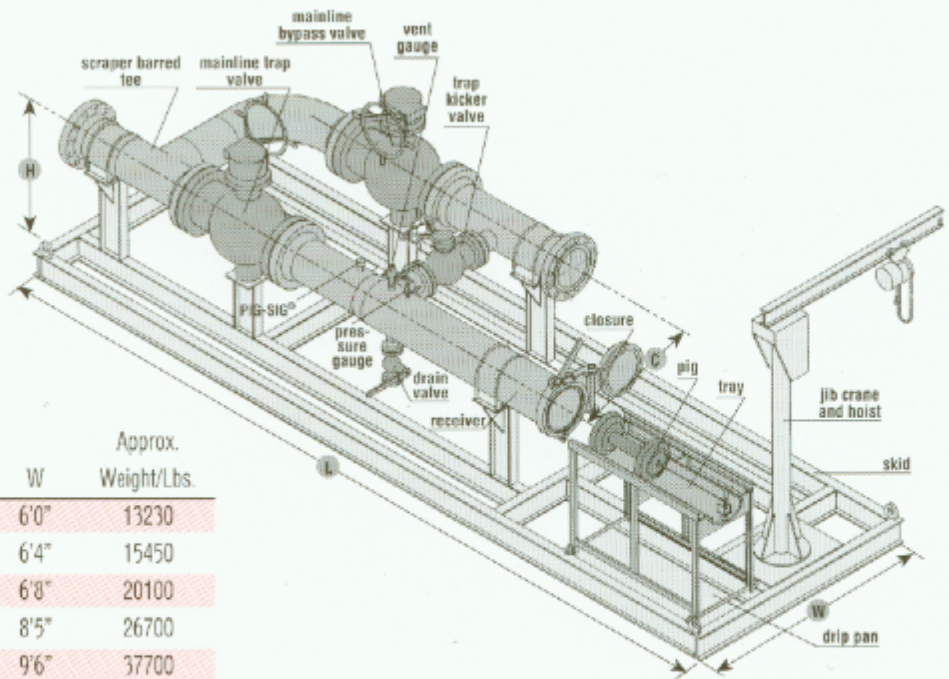
Patented in the United States and in foreign countries.  
ISO 9001 Certified

# Complete Pig Launching and Receiving Systems



## Pig Launching

Size	C	H	L	W	Approx. Weight/Lbs.
12" x 16"	3' 8"	3' 0"	21' 10"	6' 0"	12950
14" x 18"	3' 10"	3' 2"	22' 4"	6' 4"	14000
16" x 20"	4' 0"	3' 2"	23' 8"	6' 8"	18200
20" x 24"	5' 0"	5' 2"	26' 7"	8' 4"	27500
24" x 28"	5' 11"	5' 6"	31' 0"	9' 6"	35550
30" x 34"	6' 11"	5' 10"	38' 4"	11' 4"	52500
36" x 40"	7' 8"	6' 5"	45' 8"	12' 4"	76300
40" x 44"	8' 0"	7' 7"	50' 1"	13' 0"	107660

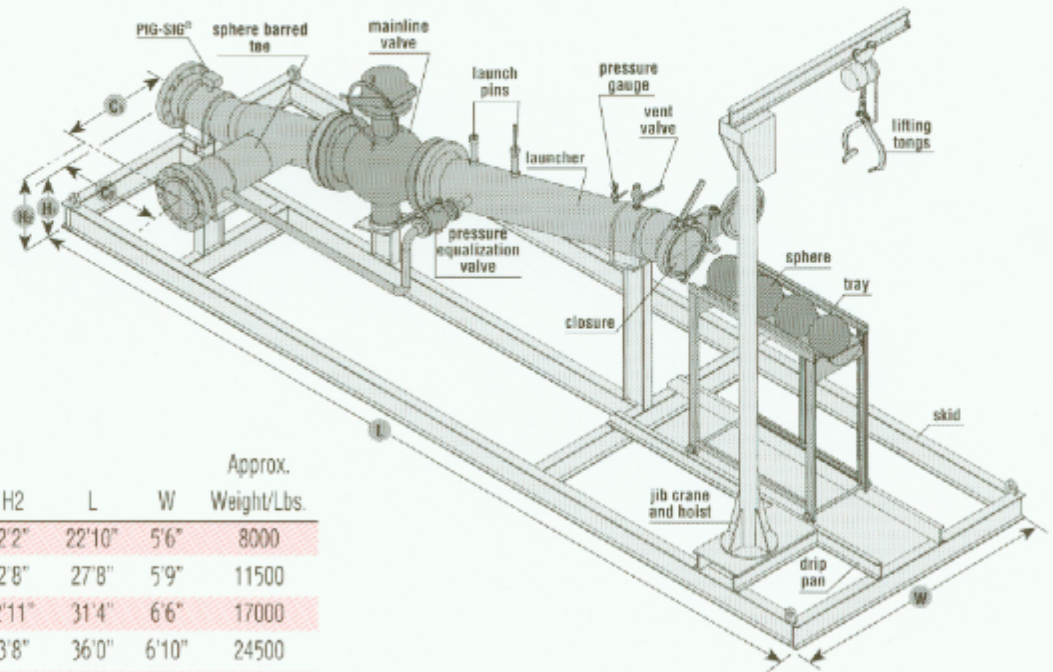


## Pig Receiving

Size	C	H	L	W	Approx. Weight/Lbs.
12" x 16"	3' 8"	3' 0"	26' 11"	6' 0"	13230
14" x 18"	3' 10"	3' 2"	27' 4"	6' 4"	15450
16" x 20"	4' 0"	3' 2"	27' 6"	6' 8"	20100
20" x 24"	5' 0"	5' 2"	31' 3"	8' 5"	26700
24" x 28"	5' 11"	5' 6"	36' 0"	9' 6"	37700
30" x 34"	6' 11"	5' 10"	45' 10"	11' 4"	56340
36" x 40"	7' 8"	6' 5"	55' 7"	12' 4"	82200
40" x 44"	8' 0"	7' 7"	61' 6"	13' 0"	115350

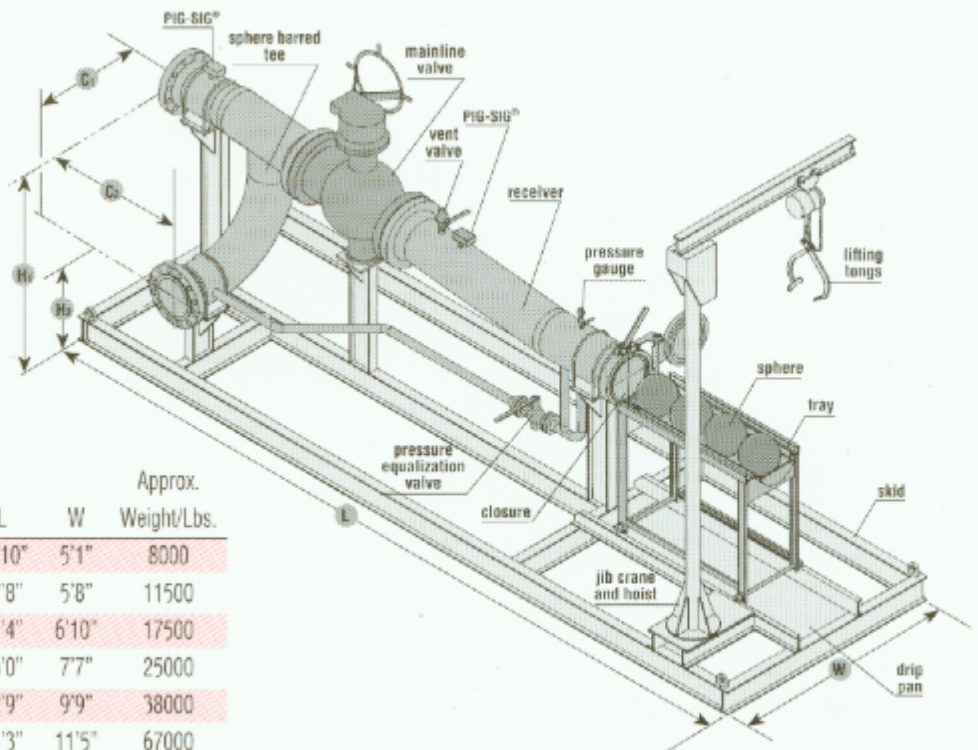


# Complete Pig Launching and Receiving Systems



## Sphere Launching

Size	C1	C2	H1	H2	L	W	Approx. Weight/Lbs.
12" x 14"	3'6"	3'8"	2'0"	2'2"	22'10"	5'6"	8000
16" x 18"	3'9"	4'2"	2'6"	2'8"	27'8"	5'9"	11500
20" x 22"	4'0"	3'8"	2'10"	2'11"	31'4"	6'6"	17000
24" x 26"	4'4"	4'2"	3'6"	3'8"	36'0"	6'10"	24500
30" x 32"	4'8"	4'7"	4'0"	4'2"	42'9"	8'6"	37000
36" x 40"	5'3"	5'11"	4'9"	5'0"	51'3"	9'8"	65500



## Sphere Receiving

Size	C1	C2	H1	H2	L	W	Approx. Weight/Lbs.
12" x 14"	3'0"	3'8"	4'1"	1'8"	22'10"	5'1"	8000
16" x 18"	3'7"	4'2"	5'11"	1'11"	27'8"	5'8"	11500
20" x 22"	4'4"	3'8"	6'3"	2'4"	31'4"	6'10"	17500
24" x 26"	5'0"	4'2"	7'4"	2'9"	36'0"	7'7"	25000
30" x 32"	5'11"	4'7"	8'10"	3'0"	42'9"	9'9"	38000
36" x 40"	7'0"	5'11"	10'6"	3'7"	51'3"	11'5"	67000